

April 8, 1930.

A. S. THOMPSON
WATCHMAKER'S CABINET

1,754,128

Filed Dec. 17, 1928

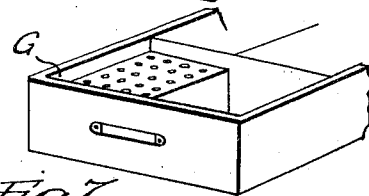
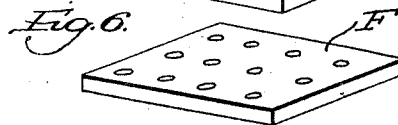
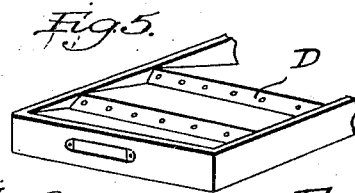
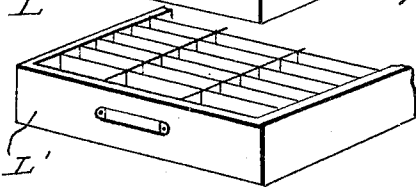
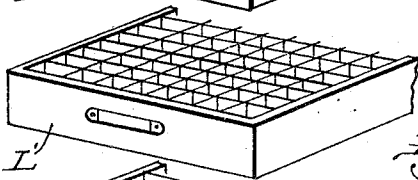
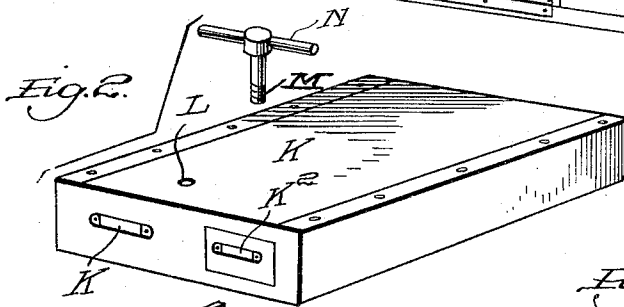
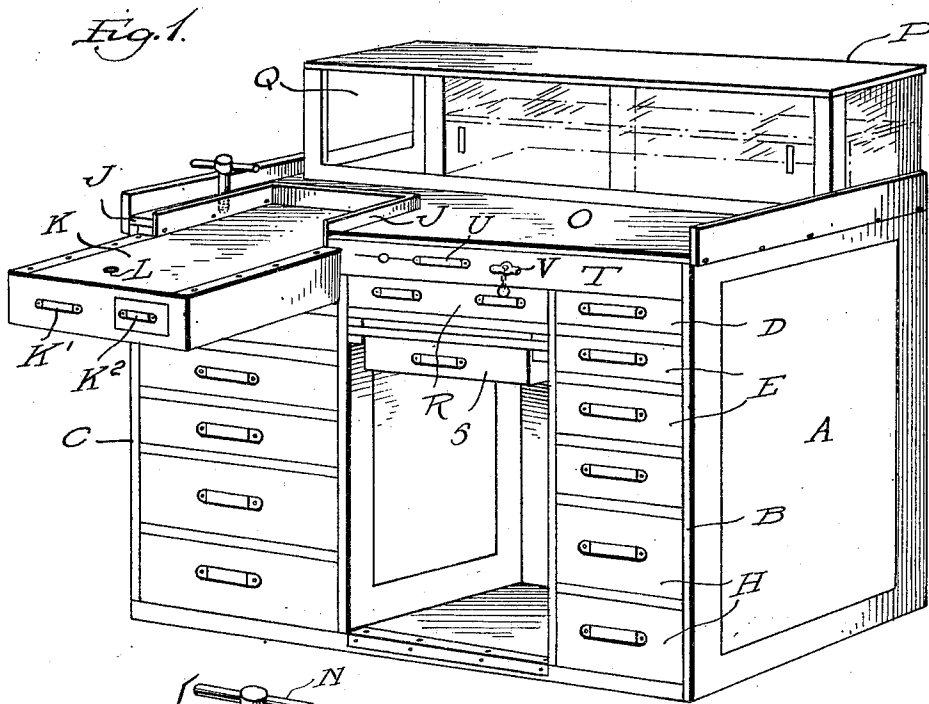


Fig. 4.

Inventor
ARTHUR S. THOMPSON

By *Arthur S. Thompson*
Attorney

UNITED STATES PATENT OFFICE

ARTHUR S. THOMPSON, OF ONTARIO, CALIFORNIA

WATCHMAKER'S CABINET

Application filed December 17, 1928. Serial No. 326,521.

My invention relates to improvements in watchmakers' cabinets, and one object of the invention is the provision of a cabinet or desk which will accommodate all the tools and accessories used by the workman and dispose them in the most convenient and desirable manner, the present improvement being an improvement upon the cabinet for which on September 20, 1927, Patent No. 1,643,101, was granted to me.

Another object of my invention is the provision of a cabinet which will be small and compact to occupy a small amount of space and which will be of attractive and ornamental appearance in order not to detract from the appearance of its surroundings.

Another object of my invention is the provision of a cabinet which will be of strong and durable construction and which can be made at a price to bring the article within the reach of persons requiring such a cabinet, and to provide a useful, practical and efficient cabinet of the character and for the purposes intended.

With these objects in view my invention consists of a desk or cabinet for the purposes stated embodying novel features of construction and combination of parts, substantially as shown, described and claimed herein.

Figure 1 represents a perspective view of the complete cabinet constructed in accordance with and embodying my invention.

Figure 2 represents a detail perspective view of the sliding board upon which rests the lathe and which forms the means of carrying the tools used in the lathe or chuck.

Figures 3, 4, 5, 6 and 7 represent details in perspective of the different drawers mounted in the cabinet for receiving and storing tools, and accessories used by the watchmaker.

In carrying my invention into effect I use a cabinet A, of general rectangular shape, having the compartment B at one side and the compartment C at the other side, forming drawer compartments, in the compartment B there being the graver drawer D, the drawers E, with bottle racks F, the staking tool drawer G, and the drawers H, for material of any kind used by the watchmaker.

In the compartment C is mounted in the guides J, the sliding lathe receiving member K, having a handle K¹, and a drawer K², to receive tools or appliances used in the lathe, and further having an opening L, to receive the stem on the lathe to secure the lathe in position upon said member. The said sliding member is also formed or provided with metal plates at its upper edges to permit easy sliding of said member, and also to be engaged at one side by the binding screw M, having a handle N.

The cabinet is provided with the top O, upon which is mounted the open case structure P, in the end chamber Q, of which is adapted to be placed the motor for driving the lathe, while between the side compartments are the drawers R and S and above the strip T, in which is mounted a sliding sharpening stone U and the pull connection V therefor, these features being shown in my former patent.

From the foregoing description taken in connection with the drawings the advantages of my cabinet will be readily understood and appreciated by all skilled in such matters, and it is evident that my invention forms a bench, display case screen, and a chuck drawer with sliding lathe board and in a small space and at a low cost insures a cabinet which brings all the articles, tools and accessories used by the watchmaker within easy reach, and will commend the cabinet as filling a long felt want of the watchmaker.

In the compartment C are mounted the series of drawers L', which may be used for envelopes, crystals, or for any purpose for which they would serve.

I claim:

1. A cabinet having a top provided with a compartment at the rear portion thereof for housing a motor and a recess in said top opposite said compartment, a lathe board slidably mounted in said recess and means for securing said board in various positions of adjustment with respect to said cabinet, whereby a lathe mounted on said board may be brought to a convenient position of use and the belt driving said lathe from said motor may be tightened.

2. A cabinet having a top provided with
 a compartment at the rear portion thereof
 for housing a motor and a recess in said top
 opposite said compartment, a lathe board
 5 slidably mounted in said recess, a drawer for
 tools mounted in said lathe board, and means
 for securing said board in various positions of
 adjustment with respect to said cabinet,
 whereby a lathe mounted on said board may
 10 be brought to a convenient position of use,
 and the belt driving said lathe from said
 motor may be tightened.

In testimony whereof I affix my signa-
 ture.

ARTHUR S. THOMPSON.

15

20

25

30

35

40

45

50

55

60

65